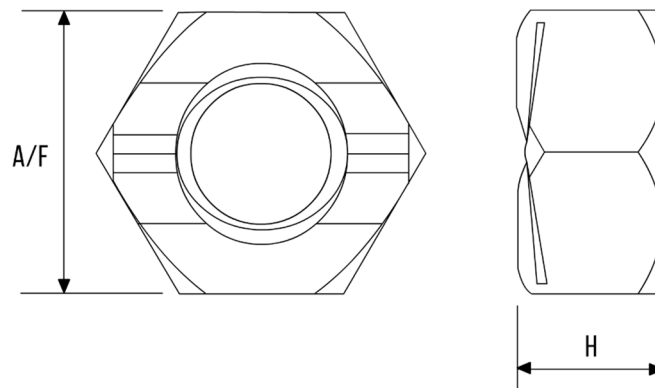


BINX[®] NUT – ALL METAL SELF LOCKING NUT



SIZE	PITCH	A/F	HEIGHT
M3	0.50	5.5	3.2
M4	0.70	7.0	3.2
M5	0.80	8.0	4.1
M6	1.00	10.0	6.1
M8	1.25	13.0	6.4
M10	1.50	17.0	7.9
M12	1.75	19.0	9.9
M14	2.00	22.0	11.0
M16	2.00	24.0	13.0
M18	2.50	27.0	15.0
M20	2.50	30.0	16.0
M22	2.50	32.0	17.8
M24	3.00	36.0	28.8
M27	3.00	41.0	22.2
M30	3.50	46.0	23.9
M36	4.00	55.0	32.0

- Dimensions in millimetres
- Available in Mild Steel, Brass and 300 & 316 Type Stainless Steel
- Other materials manufactured on request