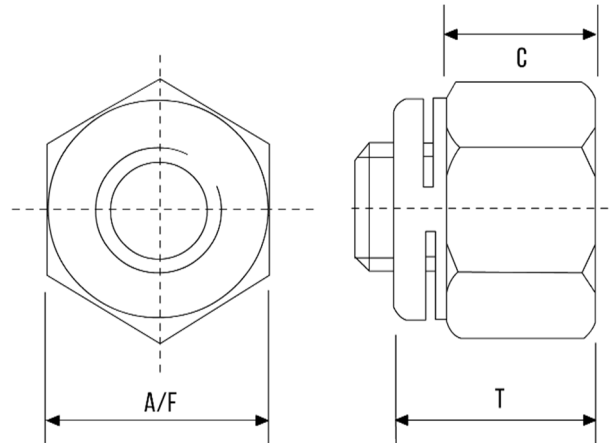


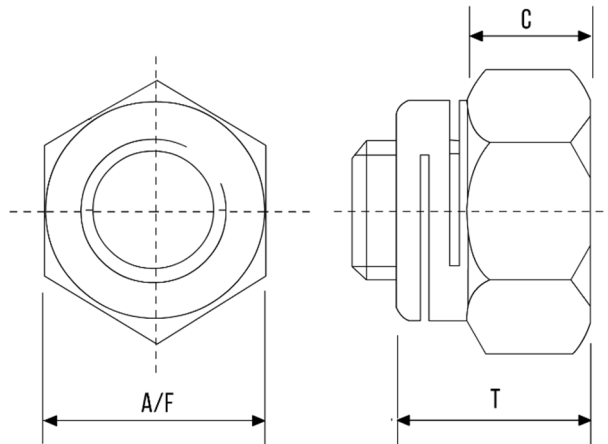
PHILIDAS® NUT – INDUSTRIAL SELF LOCKING NUT



DIA	PITCH	A/F	B (NOM)	C (NOM)
M5	0.80	8.00	6.50	4.30
M6	1.00	10.00	7.50	5.00
M8	1.25	13.00	8.50	5.70
M10	1.50	17.00	11.00	8.00
M12	1.75	19.00	13.00	9.50
M14	2.00	22.00	15.00	11.00
M16	2.00	24.00	17.00	12.80
M18	2.50	27.00	20.00	15.50
M20	2.50	30.00	22.00	17.50
M22	2.50	32.00	23.00	18.00
M24	3.00	36.00	25.00	19.50
M27	3.00	41.00	28.00	22.00
M30	3.50	46.00	31.00	24.50
M33	3.50	50.00	33.00	26.20
M36	4.00	55.00	36.00	28.60
M39	4.00	60.00	39.00	31.10
M42	4.50	65.00	42.00	33.50
M45	4.50	70.00	45.00	36.00
M48	5.00	75.00	48.00	38.00
M52	5.00	80.00	52.00	41.50

- Dimensions in millimetres
- Available in Grade 8 & 10 Steel and A2 & A4 Stainless Steel
- Other materials manufactured on request

PHILIDAS® NUT – TURRET SELF LOCKING NUT



DIA	PITCH	A/F	B (NOM)	C (NOM)
M5	0.80	8.00	6.80	3.90
M6	1.00	10.00	8.50	5.00
M8	1.25	13.00	10.50	6.00
M10	1.50	17.00	13.00	7.60
M12	1.75	19.00	15.00	8.50
M14	2.00	22.00	17.00	10.00
M16	2.00	24.00	19.50	12.00
M18	2.50	27.00	22.00	14.00
M20	2.50	30.00	24.00	15.50
M22	2.50	32.00	26.50	17.50
M24	3.00	36.00	29.00	19.00
M27	3.00	41.00	33.00	22.00
M30	3.50	46.00	39.00	26.00
M33	3.50	50.00	43.00	30.00
M36	4.00	55.00	47.00	32.50
M39	4.00	60.00	50.00	35.00
M42	4.50	65.00	54.00	37.50
M45	4.50	70.00	58.00	41.00
M48	5.00	75.00	62.00	42.50
M52	5.00	80.00	67.00	46.50

- Dimensions in millimetres
- Available in Grade 8 & 10 Steel and A2 & A4 Stainless Steel
- Other materials manufactured on request