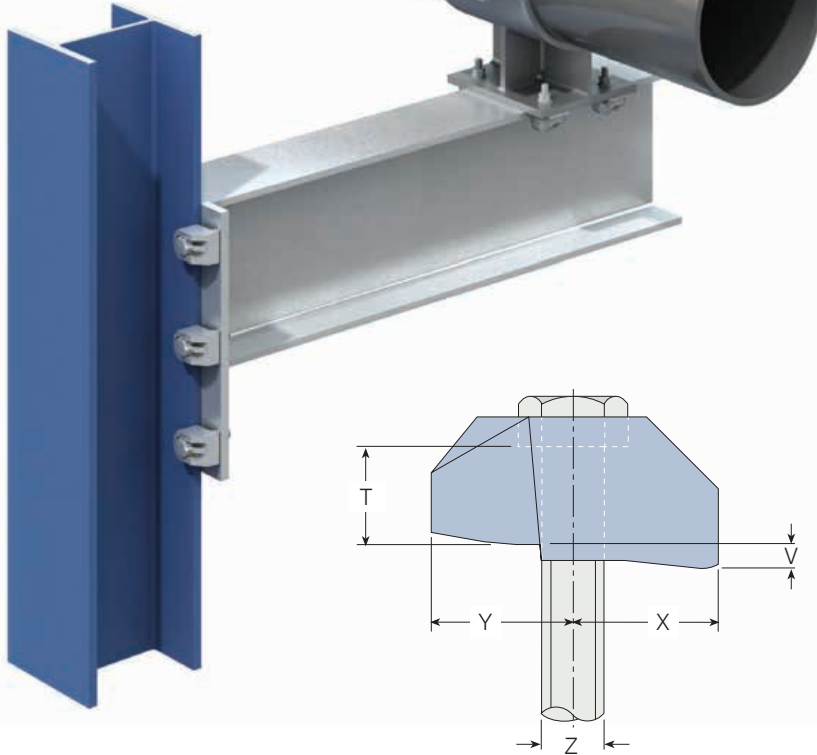


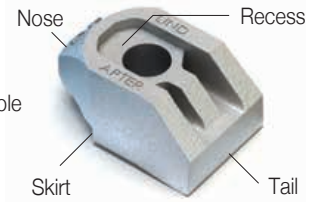
### Type AF

SG iron, hot dip galvanised



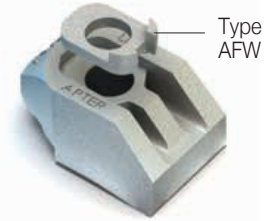
#### Type AF

The recess holds the bolt head of non-pre-loadable bolts to BS EN 15048 captive



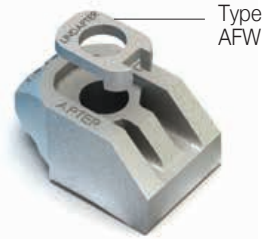
#### Type AF & AFW (inverted)

Holds the head of M12-M20 pre-loadable bolts to BS EN 14399 captive

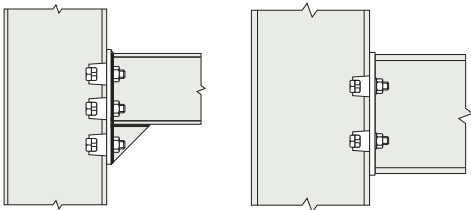


#### Type AF & AFW

Converts the recess to a flat top (also required for M24 pre-loadable bolts to BS EN 14399)



#### Typical Applications (see also page 34-37)



A High Slip Resistance (HSR) clamp with a recessed top to hold the bolt head captive while the nut is tightened. Washer Type AFW available (see illustrations above and page 18). The skirt prevents the clamp rotating during installation. The tail of the AF spans across slotted holes. Suitable for flanges up to 10°, ideal for S-beams. The clamp can be combined with Type CF.

For correct tail length/packing combinations, please see page 19.

The Type AF is compatible with Grade 8.8 and 10.9 bolts: please refer to the table below for performance comparisons.

Product Code	Bolt Z	Bolt Grade	Safe Working Loads				Tightening Torque <sup>4)</sup>	Dimensions						
			Tensile / 1 Bolt	Factor of Safety (2:1)		Y		X	Tail Length V		T	Width		
				Frictional <sup>1)</sup> / 2 Bolts	Painted Steelwork <sup>2)</sup>				Galv. Steelwork	short			medium	Type AF
AF12	M12	8.8	8.5	3.4	3.9	90	27	27	5	12.5	17	22	39	
AF16	M16	8.8	16.0	8.0	10.0	240	35	37	8	15	22	27	49	
AF20	M20	8.8	26.3	13.0	16.0	470	40	39	10	18	25	31	56	
AF24	M24	8.8	40.0	24.0	30.0	800	48	60	15	30	32	42	82	
AF12	M12	10.9	10.0	4.0	5.2	130	27	27	5	12.5	17	22	39	
AF16	M16	10.9	19.5	11.0	12.0	300	35	37	8	15	22	27	49	
AF20	M20	10.9	30.0	20.0	25.0	647	40	39	10	18	25	31	56	
AF24	M24	10.9	62.5 <sup>3)</sup>	28.0	35.0	1000	48	60	15	30	32	42	82	

1) Frictional Load figures are based on Type AF and Location plates in hot dip galvanised finish calculated against slip (movement exceeding 0.1mm).

2) Shot blast and painted steelwork

3) 3.2:1 factor of safety

4) For pre-loadable bolts to BS EN 14399 (hot dip galvanised and lubricated) please refer to manufacturers' recommendation for torque figures.

Order example: AF12 short

**NEW** New product also available: Type AAF ('Adjustable AF')  
Download the High Slip Resistance Clamps brochure here

