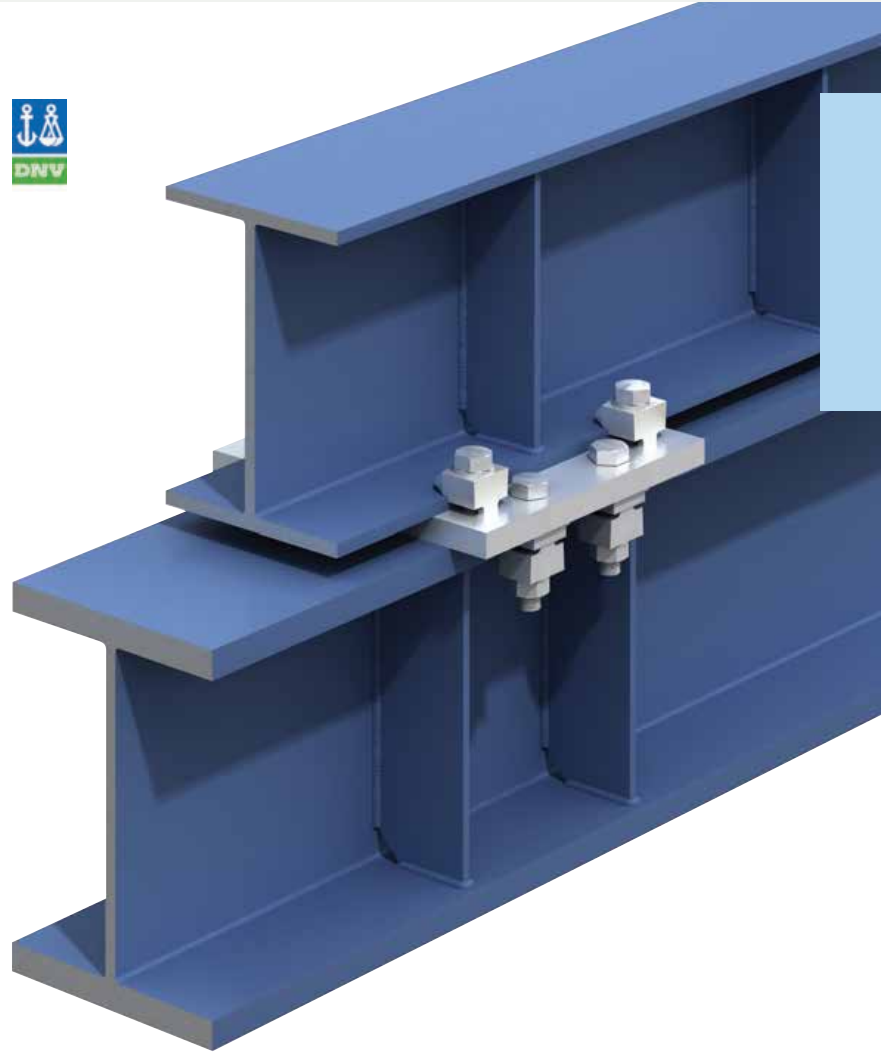
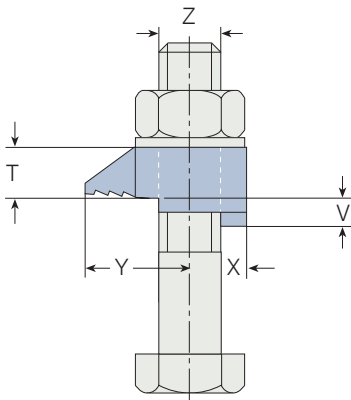
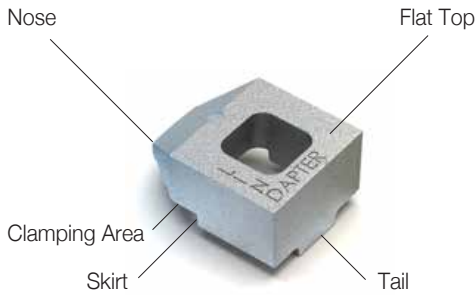


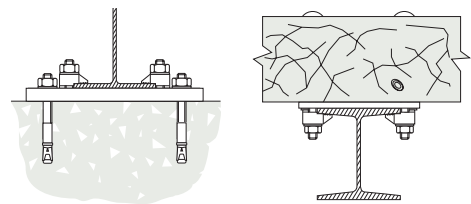
Type B

Malleable iron,
bright zinc plated /
hot dip galvanised



The flat top of the Type B clamp allows the bolt head or nut to be rotated. The clamp is suitable for use with bolts, studs, tie rods, J-bolts, parallel flanges and tapered flanges up to 8°. The clamp is installed correctly when the clamping area grips the flange. The tail must be chosen to suit the thickness of the flange being gripped. For correct tail length/packing combinations, please see page 15.

Typical Applications (see also page 34-37)



| Product Code | Bolt 8.8 Z | Safe Working Loads (5:1 Factor of Safety) | | Tightening Torque Nm | Y mm | X mm | Dimensions Tail Length V | | | T mm | Width mm |
|--------------|---------------|--|----------------------------|----------------------------|---------|---------|-----------------------------|--------------|------------|---------|-------------|
| | | Tensile / 1 Bolt kN | Frictional / 2 Bolts kN | | | | short mm | medium mm | long mm | | |
| B08 | M8 | 1.0 | - | 6 | 16 | 8 | - | 4 | - | 8 | 20 |
| B10 | M10 | 1.5 | - | 20 | 20 | 11 | 4 | 5 | 7 | 10 | 26 |
| B12 | M12 | 5.8 | 0.7 | 69 | 26 | 13 | 4.5 | 6 | 9.5 | 12 | 29 |
| B16 | M16 | 7.3 | 1.5 | 147 | 30 | 16 | 5.5 | 8 | 11 | 16 | 36 |
| B20 | M20 | 14.7 | 3 | 285 | 36 | 19 | 7 | 10 | 12.5 | 20 | 46 |
| B24 | M24 | 19.7 | 4.5 | 491 | 48 | 25 | 9 | 12 | 16 | 24 | 55 |

➤ For higher loads the Type AF should be used (see page 16).

■ Order example: B16 medium HDG