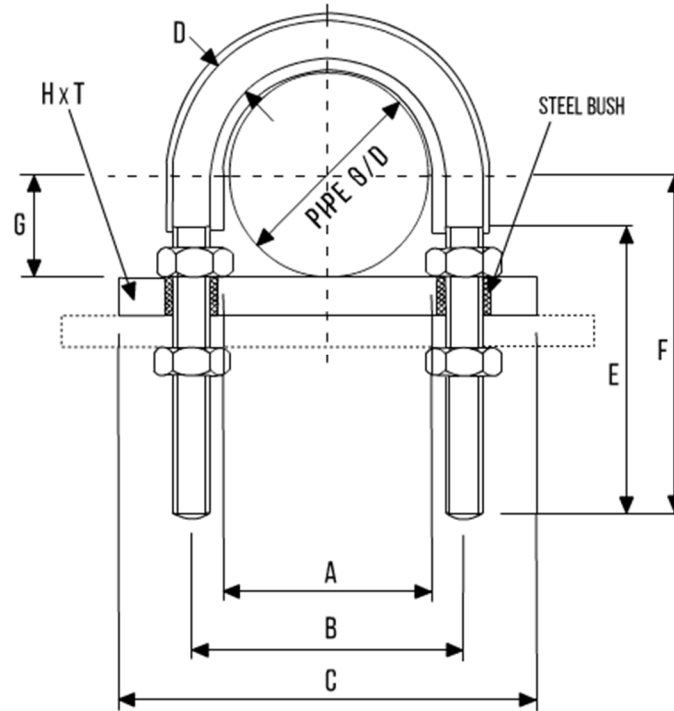


PIPE SUPPORTS



INSULATED NON-GRIP U-BOLTS



N/B	A	B	C	D	E	F	G	H x T	L
15	23	37	60	M6	60	60	11.5	25 x 10	220
20	29	43	70	M6	60	65	14.5	25 x 10	220
25	36	50	75	M6	60	65	18.0	25 x 10	220
32	45	69	95	M10	70	80	22.5	25 x 10	545
40	52	75	100	M10	70	80	26.0	25 x 10	545
50	64	87	110	M10	75	90	32.0	25 x 10	545
65	79	102	135	M12	75	95	39.5	30 x 10	1000
80	92	115	140	M12	75	100	46.0	30 x 10	1000
100	118	141	170	M12	75	110	59.0	30 x 10	1000
150	172	210	250	M16	120	180	86.0	50 x 10	1635
200	224	262	315	M16	120	200	112.0	50 x 10	1635
250	278	324	375	M20	130	235	139.0	50 x 10	3405
300	329	375	425	M20	130	265	164.5	50 x 10	3405

- All dimensions in millimetres
- U-Bolt & Nuts: Carbon Steel - Bright Zinc Plated Finish
- Isolator: HT/FR Silicone Rubber Elastomer (-70° to 300°C) / Extruded 70/80 FR Neoprene (-30° to 100°C)