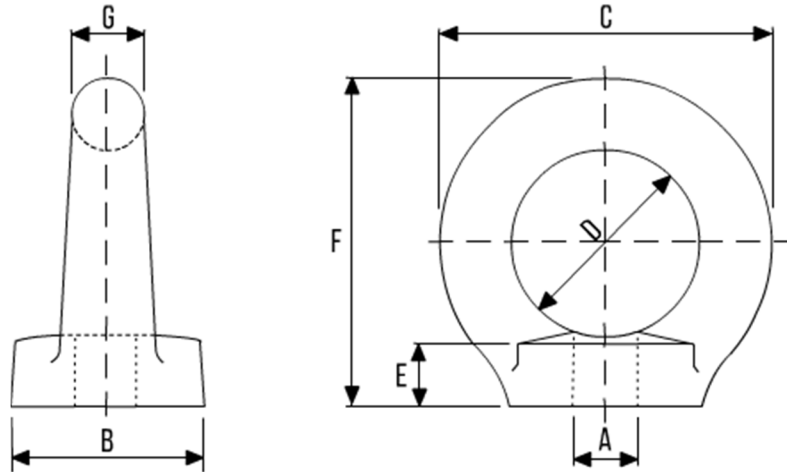


PIPE SUPPORTS



DIN582 EYENUT



| A | B | C | D | E | F | G | SWL |
|-----|-----|-----|-----|-----|-----|----|----------|
| M6 | 20 | 36 | 20 | 8.5 | 36 | 8 | 70 KG |
| M8 | 20 | 36 | 20 | 8.5 | 36 | 8 | 140 KG |
| M10 | 25 | 45 | 25 | 10 | 45 | 10 | 230 KG |
| M12 | 30 | 54 | 30 | 11 | 53 | 12 | 340 KG |
| M14 | 35 | 63 | 35 | 13 | 62 | 14 | 490 KG |
| M16 | 35 | 63 | 35 | 13 | 62 | 14 | 700 KG |
| M20 | 40 | 72 | 40 | 16 | 71 | 16 | 1200 KG |
| M22 | 45 | 81 | 45 | 18 | 81 | 18 | 1500 KG |
| M24 | 50 | 90 | 50 | 20 | 90 | 20 | 1800 KG |
| M27 | 50 | 90 | 50 | 20 | 90 | 20 | 2500 KG |
| M30 | 65 | 108 | 60 | 25 | 109 | 24 | 3200 KG |
| M33 | 65 | 108 | 60 | 25 | 109 | 24 | 4300 KG |
| M36 | 75 | 126 | 70 | 30 | 128 | 28 | 4600 KG |
| M39 | 75 | 126 | 70 | 30 | 128 | 28 | 6100 KG |
| M42 | 85 | 144 | 80 | 35 | 147 | 32 | 6300 KG |
| M45 | 85 | 144 | 80 | 35 | 147 | 32 | 8000 KG |
| M48 | 100 | 166 | 90 | 40 | 168 | 38 | 8600 KG |
| M52 | 100 | 166 | 90 | 40 | 168 | 38 | 9900 KG |
| M56 | 110 | 184 | 100 | 45 | 187 | 42 | 11500 KG |
| M64 | 120 | 206 | 110 | 50 | 208 | 48 | 16000 KG |

- Dimensions in millimetres
- SWL shown for vertical lift
- Available in Carbon, Alloy & Stainless Steels
- Full range of different finishes available