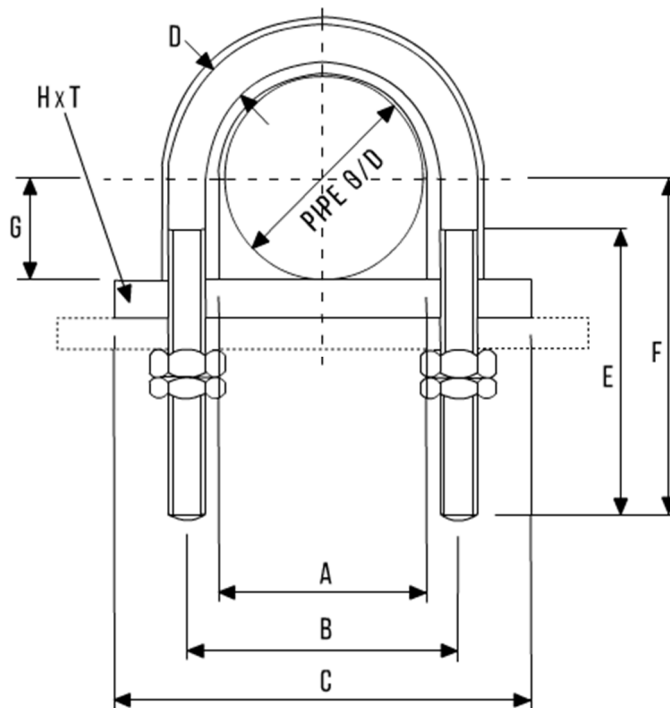


PIPE SUPPORTS



INSULATED GRIP TYPE U-BOLTS



N/B	A	B	C	D	E	F	G	H x T	L
15	21	37	60	M6	60	60	10.5	25 x 10	220
20	27	43	70	M6	60	65	13.5	25 x 10	220
25	34	50	75	M6	60	65	17	25 x 10	220
32	43	69	95	M10	70	80	21	25 x 10	545
40	49	75	100	M10	70	80	24.5	25 x 10	545
50	61	87	110	M10	75	90	30.5	25 x 10	545
65	76	102	135	M12	75	95	38	30 x 10	1000
80	89	115	140	M12	75	100	44.5	30 x 10	1000
100	115	141	170	M12	75	110	57.5	30 x 10	1000
150	168	210	250	M16	120	180	84	50 x 10	1635
200	219	262	315	M16	120	200	109.5	50 x 10	1635
250	273	324	375	M20	120	235	136.5	50 x 10	3405
300	324	375	425	M20	120	265	162	50 x 10	3405

- All dimensions in millimetres
- U-Bolt & Nuts: Carbon Steel - Bright Zinc Plated Finish
- Isolator: HT/FR Silicone Rubber Elastomer (-70° to 300°C) / Extruded 70/80 FR Neoprene (-30° to 100°C)