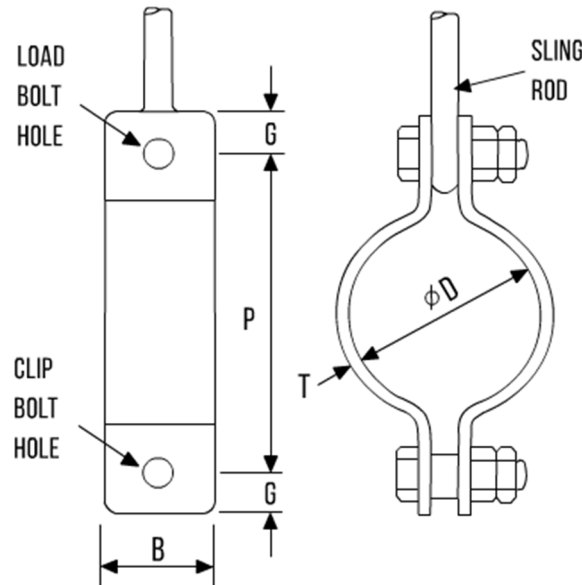


PIPE SUPPORTS



2 BOLT PIPE CLIPS – HEAVY SERIES (BS3974)



NOM	PIPE O/C	ROD DIA	D (DIA)	CLIP B x T	P	BOLT	HOLE DIA	G (MIN)	SWL
15	21.3	10	23	35 x 5	65	M10	12	15	280 KGF
20	26.9	10	28	35 x 5	70	M10	12	15	280 KGF
25	33.7	10	36	35 x 5	75	M10	12	15	280 KGF
32	42.4	12	44	35 x 5	90	M12	15	18	280 KGF
40	48.3	12	50	35 x 5	95	M12	15	18	280 KGF
50	60.3	12	62	35 x 5	105	M12	15	18	280 KGF
65	76.1	16	80	35 x 8	155	M12	19	24	450 KGF
80	88.9	16	92	35 x 8	165	M16	19	24	450 KGF
100	114.3	16	118	35 x 8	190	M16	19	24	450 KGF
125	139.7	16	144	35 x 8	215	M16	19	24	450 KGF
150	168.3	16	172	35 x 8	245	M16	19	24	450 KGF
175	193.7	16	198	45 x 10	280	M16	19	24	900 KGF
200	219.1	16	224	45 x 10	305	M16	19	24	900 KGF
225	244.5	20	248	60 x 10	340	M20	24	30	1350 KGF
250	273.0	20	278	60 x 10	365	M20	24	30	1350 KGF
300	323.9	24	330	60 x 15	455	M24	28	36	1800 KGF
350	355.6	30	362	60 x 15	500	M30	35	45	2250 KGF
400	406.4	30	412	65 x 20	575	M30	35	45	2700 KGF
450	457.0	36	464	80 x 20	635	M36	42	54	3600 KGF
500	508.0	36	516	90 x 25	715	M36	42	54	4500 KGF
550	559.0	36	566	90 x 25	765	M36	42	54	4500 KGF
600	610.0	42	618	110 x 25	830	M42	48	63	5900 KGF

- All dimensions in millimetres
- Finish – Galvanised (Also available Self Colour and in Stainless Steel on request)