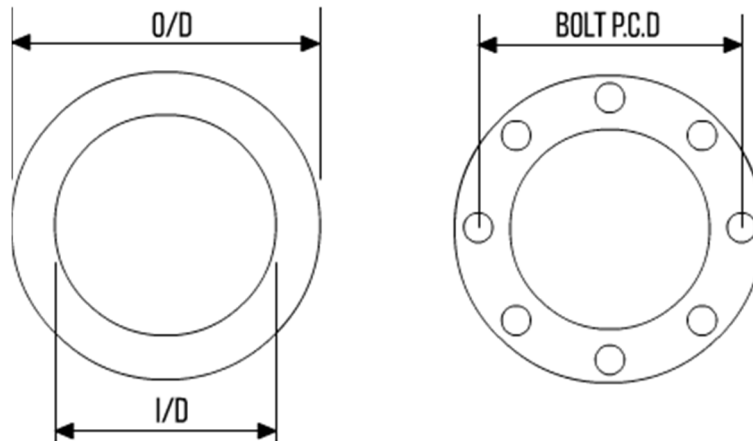


GASKETS



SOFT CUT GASKETS – CLASS 300 DIMENSIONS
ASME B16.20 / ASME B16.47



NOMINAL BORE	IBC GASKET	FULL FACE GASKET			
	OD x ID	OD x ID	NO. OF HOLES	HOLE DIA.	P.D.C
1/2"	54 x 21	95 x 21	4	16	67
3/4"	67 x 27	117 x 27	4	19	83
1"	71 x 33	124 x 33	4	19	89
1.1/4"	83 x 42	133 x 42	4	19	98
1.1/2"	95 x 48	156 x 48	4	22	114
2"	111 x 60	165 x 60	8	19	127
2.1/2"	130 x 73	191 x 73	8	22	149
3"	149 x 89	210 x 89	8	22	168
3 1/2"	165 x 102	229 x 102	8	22	184
4"	181 x 114	254 x 114	8	22	200
5"	216 x 141	279 x 141	8	22	235
6"	251 x 168	318 x 168	12	22	270
8"	308 x 219	381 x 219	2	29	330
10"	362 x 273	445 x 273	16	29	387
12"	422 x 324	521 x 324	16	25	451
14"	486 x 356	584 x 356	20	32	514
16"	540 x 406	648 x 406	20	35	572
18"	597 x 457	711 x 457	24	35	629
20"	654 x 508	775 x 508	24	35	686
24"	775 x 610	914 x 610	24	41	813

- All dimensions in millimetres (unless otherwise shown)
- Above table – Dimensions are in accordance with ASME B16.20
- Series A & B – Dimensions are in accordance with ASME B16.47

GASKETS



NOMINAL BORE SERIES A	IBC GASKET	FULL FACE GASKET			
	OD x ID	OD x ID	NO. OF HOLES	HOLE DIA.	P.D.C
22" (550)	705 x 559	838 x 559	24	41	743
26" (650)	835 x 660	972 x 660	28	44	876
28" (700)	899 x 711	1035 x 711	28	44	940
30" (750)	953 x 762	1092 x 762	28	48	997
32" (800)	1007 x 813	1149 x 813	28	51	1054
34" (850)	1057 x 864	1207 x 864	28	51	1105
36" (900)	1118 x 914	1270 x 914	32	54	1168
38" (950)	1054 x 965	1168 x 965	32	41	1092
40" (1000)	1115 x 1016	1207 x 1016	32	44	1156
42" (1050)	1165 x 1067	1289 x 1067	32	44	1207
44" (1100)	1219 x 1118	1365 x 1118	32	48	1264
46" (1150)	1273 x 1168	1416 x 1168	28	51	1321
48" (1200)	1324 x 1219	1467 x 1219	32	52	1372
50" (1250)	1378 x 1270	1581 x 1321	32	54	1429
52" (1300)	1429 x 1321	1657 x 1372	32	54	1480
54" (1350)	1492 x 1372	1683 x 1372	28	60	1579
56" (1400)	1543 x 1422	1708 x 1422	28	60	1600
58" (1450)	1594 x 1473	1759 x 1473	32	60	1651
60" (1500)	1645 x 1524	1810 x 1524	32	60	1702

NOMINAL BORE SERIES B	IBC GASKET	FULL FACE GASKET			
	OD x ID	OD x ID	NO. OF HOLES	HOLE DIA.	P.D.C
26" (650)	772 x 660	867 x 660	32	35	803
28" (700)	826 x 711	921 x 711	36	35	857
30" (750)	886 x 762	991 x 762	36	38	921
32" (800)	940 x 813	1054 x 813	32	41	978
34" (850)	994 x 813	1108 x 864	36	41	1032
36" (900)	1048 x 914	1172 x 914	32	44	1089
38" (950)	1099 x 965	1222 x 965	36	44	1140
40" (1000)	1149 x 1016	1273 x 1016	40	44	1191
42" (1050)	1200 x 1067	1334 x 1067	36	48	1245
44" (1100)	1251 x 1118	1384 x 1118	40	48	1295
46" (1150)	1318 x 1168	1461 x 1168	36	51	1365
48" (1200)	1368 x 1219	1511 x 1219	40	51	1416
50" (1250)	1419 x 1270	1562 x 1270	44	51	1467
52" (1300)	1470 x 1321	1613 x 1372	48	51	1518
54" (1350)	1556 x 1372	1673 x 1372	48	51	1578
56" (1400)	1594 x 1422	1765 x 1422	36	60	1651
58" (1450)	1673 x 1473	1827 x 1473	40	60	1713
60" (1500)	1705 x 1524	1878 x 1524	40	60	1764