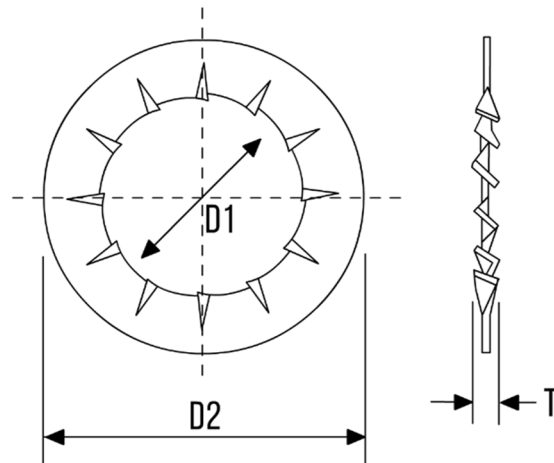


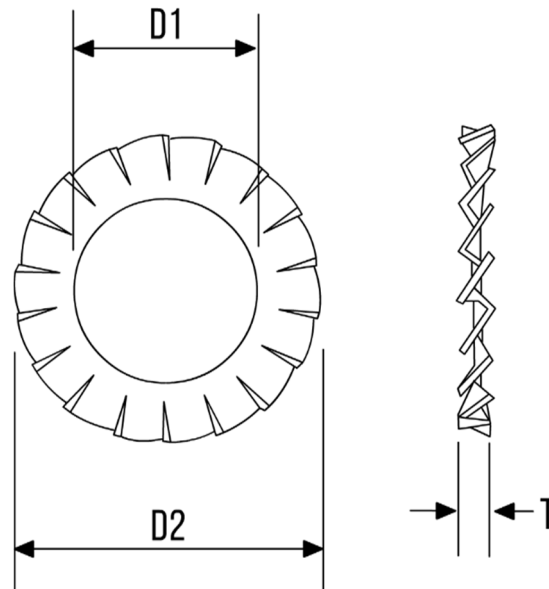
**INTERNAL SERRATED LOCK WASHERS – DIN6798 (FAN DISC)**



DIA	D1	D2	T
M3	3.20	6.00	0.40
M4	4.30	8.00	0.50
M5	5.30	9.00	0.50
M6	6.40	11.00	0.70
M8	8.40	15.00	0.80
M10	10.50	18.00	0.90
M12	12.50	20.50	1.00
M14	14.50	24.00	1.00
M16	16.50	26.00	1.20
M18	19.00	30.00	1.40
M20	21.00	33.00	1.40
M22	23.00	36.00	1.50
M24	25.00	38.00	1.50

- Dimensions in millimetres
- Available in Mild Steel and A2 & A4 Stainless Steel
- Other materials manufactured on request

**EXTERNAL SERRATED LOCK WASHERS – DIN6798J (FAN DISC)**



DIA	D1	D2	T
M3	3.20	6.00	0.40
M4	4.30	8.00	0.50
M5	5.30	9.00	0.50
M6	6.40	11.00	0.70
M8	8.40	15.00	0.80
M10	10.50	18.00	0.90
M12	12.50	20.50	1.00
M14	14.50	24.00	1.00
M16	16.50	26.00	1.20
M18	19.00	30.00	1.40
M20	21.00	33.00	1.40
M22	23.00	36.00	1.50
M24	25.00	38.00	1.50

- Dimensions in millimetres
- Available in Mild Steel and A2 & A4 Stainless Steel
- Other materials manufactured on request