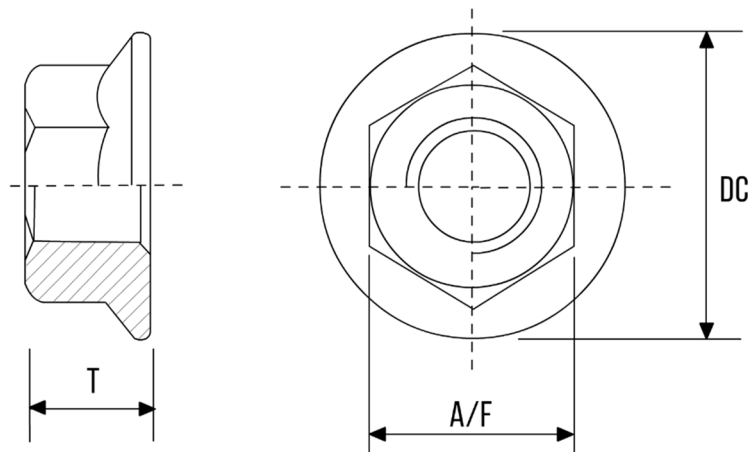


FLANGE NUT (METRIC) - DIN 6923



DIA	PITCH	DC	T		A/F	
			MAX	MIN	MAX	MIN
M5	0.80	11.80	5.00	4.70	8.00	7.78
M6	1.00	14.20	6.00	5.70	10.00	9.78
M8	1.25	17.90	8.00	7.60	13.00	12.73
M10	1.50	21.80	10.00	9.60	15.00	14.73
M12	1.75	26.00	12.00	11.60	18.00	17.73
M14	2.00	29.90	14.00	13.30	21.00	20.67
M16	2.00	34.50	16.00	15.30	24.00	23.67
M20	2.50	42.80	20.00	18.90	30.00	29.67

- Dimensions in millimetres
- Available Serrated and Unserrated
- Available in Grade 6 Steel and A2 & A4 Stainless Steel
- Other materials manufactured on request