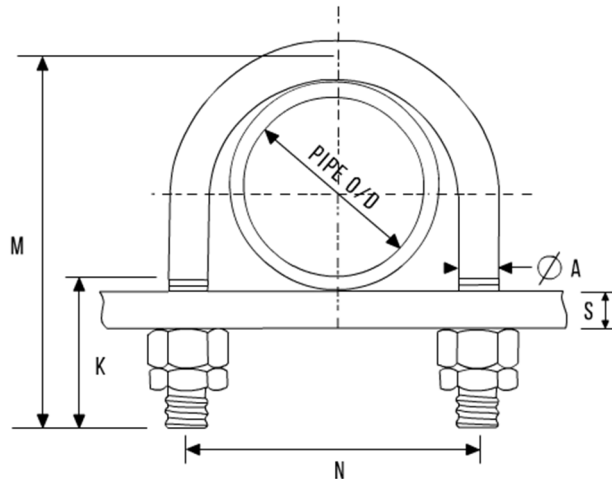


PIPE SUPPORTS



GRIP TYPE U-BOLTS – BS3974



NOM SIZE	PIPE O/D	A (DIA)	N	M	K	S (MAX)
15	21.3	8	30	50	25	7
20	26.9	8	35	60	25	10
25	33.7	8	45	65	25	10
32	42.4	8	55	75	25	10
40	48.3	10	60	90	35	16
50	60.3	10	75	100	35	16
65	76.1	12	90	130	45	19
80	88.9	16	105	150	50	19
100	114.3	16	135	175	50	19
125	139.7	16	160	200	50	19
150	168.3	20	190	235	55	19
175	193.7	20	215	260	55	19
200	219.1	20	245	295	55	19
225	244.5	20	270	310	55	19
250	273.0	20	300	350	60	22
300	323.9	20	350	400	60	22
350	355.6	24	385	440	65	22
400	406.4	24	435	500	65	22
450	457.0	24	485	540	70	22
500	508.0	24	540	600	70	22
550	559.0	24	590	650	70	22
600	610.0	24	640	700	70	22

- All dimensions in millimetres
- Finish – Bright Zinc Plated (Also available in Galvanised and Stainless Steel on request)