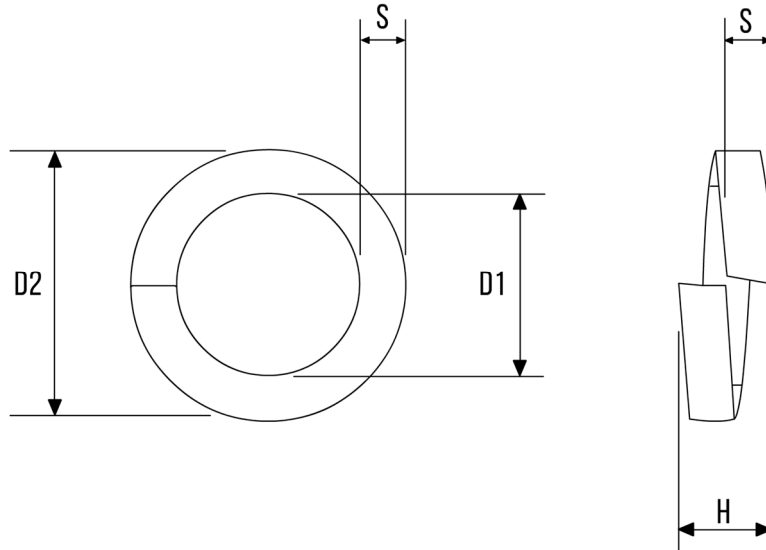


SPRING WASHERS (METRIC) – SQUARE SECTION DIN 7980



| DIA | D1 (MIN) | D1 (MAX) | D2 (NOM) | S (MIN) | H (MIN) | D1 (MAX) |
|-----|----------|----------|----------|---------|---------|----------|
| M3 | 3.1 | 3.4 | 5.6 | 1.0 | 2.00 | 2.36 |
| M4 | 4.1 | 4.4 | 7.0 | 1.2 | 2.40 | 2.83 |
| M5 | 5.1 | 5.4 | 8.8 | 1.6 | 3.20 | 3.78 |
| M6 | 6.1 | 6.5 | 9.9 | 1.6 | 3.20 | 3.78 |
| M8 | 8.1 | 8.5 | 12.7 | 2.0 | 4.00 | 4.72 |
| M10 | 10.2 | 10.7 | 16.0 | 2.5 | 5.00 | 5.90 |
| M12 | 12.2 | 12.7 | 16.0 | 2.5 | 5.00 | 5.90 |
| M14 | 14.2 | 14.7 | 21.1 | 3.0 | 6.00 | 7.10 |
| M16 | 16.2 | 17.0 | 24.4 | 3.5 | 7.00 | 8.25 |
| M18 | 18.2 | 19.0 | 26.4 | 3.5 | 7.00 | 8.25 |
| M20 | 20.2 | 21.2 | 30.6 | 4.5 | 9.00 | 10.60 |
| M22 | 22.5 | 23.5 | 32.9 | 4.5 | 9.00 | 10.60 |
| M24 | 24.5 | 25.5 | 35.9 | 5.0 | 10.00 | 11.80 |
| M27 | 27.5 | 28.5 | 38.9 | 5.0 | 10.00 | 11.80 |
| M30 | 30.5 | 31.7 | 44.1 | 6.0 | 12.00 | 24.20 |
| M33 | 33.5 | 34.7 | 47.1 | 6.0 | 12.00 | 14.20 |
| M36 | 36.5 | 37.7 | 52.2 | 7.0 | 14.00 | 26.50 |
| M42 | 42.5 | 43.7 | 60.2 | 8.0 | 16.00 | 18.90 |
| M48 | 49.0 | 50.5 | 67.0 | 8.0 | 16.00 | 18.90 |

- Dimensions in millimetres
- Available in Mild Steel and A2 & A4 Stainless Steel
- Other materials manufactured on request