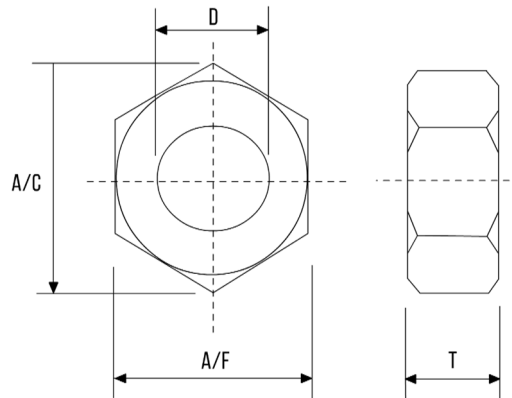


**HEX FULL NUT (METRIC) – DIN 934 / ISO 4032**



DIA	TPI	A/C	THICKNESS (T)		A/F	
	(COARSE)		MIN	MIN	MAX	MIN
M6	1.00	10.89	4.90	5.20	9.78	10.00
M8	1.25	14.20	6.44	6.80	12.73	13.00
M10	1.50	17.77	8.04	8.40	15.73	16.00
M12	1.75	20.03	10.37	10.80	17.73	18.00
M14	2.00	23.36	12.10	12.80	20.67	21.00
M16	2.00	26.75	14.10	14.80	23.67	24.00
M18	2.50	29.56	15.10	15.80	26.16	27.00
M20	2.50	32.95	16.90	18.00	29.16	30.00
M22	2.50	37.29	18.10	19.40	33.00	34.00
M24	3.00	39.55	20.20	21.50	35.00	36.00
M27	3.00	45.20	22.50	23.80	40.00	41.00
M30	3.50	50.85	24.30	25.60	45.00	46.00
M33	3.50	55.37	27.40	28.70	49.00	50.00
M36	4.00	60.79	29.40	31.00	53.80	55.00
M39	4.00	66.44	31.80	33.40	58.80	60.00
M42	4.50	71.30	32.40	34.00	63.10	65.00
M45	4.50	76.95	34.40	36.00	68.10	70.00
M48	5.00	82.60	36.40	38.00	73.10	75.00
M52	5.00	88.25	40.40	42.00	78.10	80.00
M56	5.50	93.56	43.40	45.00	82.80	85.00
M60	5.50	99.21	46.40	48.00	87.80	90.00
M64	6.00	104.86	49.10	51.00	92.80	95.00

- Dimensions in millimetres
- Available in Grades 6, 8, 10, 12 Steel and A2 & A4 Stainless Steel
- Other materials manufactured on request