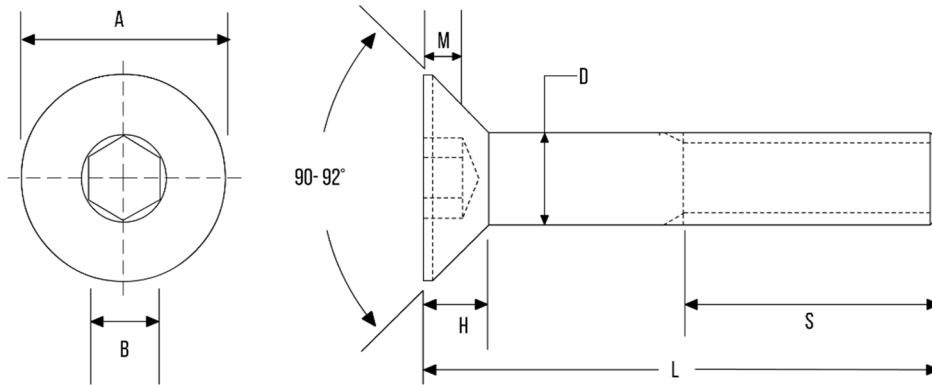


SOCKET COUNTERSUNKS SCREWS (METRIC) - DIN 7991 / ISO 10642



DIA	A	H	B	M (MIN)	S (MIN)
M3	5.54 - 6.72	2.020 - 2.080	1.1	18	1.86
M4	7.53 - 8.96	2.520 - 2.580	1.5	20	2.48
M5	9.43 - 11.20	3.020 - 3.080	1.9	22	3.10
M6	11.34 - 13.44	4.020 - 4.095	2.2	24	3.72
M8	15.24 - 17.92	5.020 - 5.140	3.0	28	4.96
M10	19.22 - 22.40	6.020 - 6.140	3.6	32	6.20
M12	23.12 - 26.88	8.025 - 8.175	4.3	36	7.44
M14	26.52 - 30.80	10.025 - 10.175	4.5	40	8.40
M16	29.01 - 33.60	10.025 - 10.175	4.8	44	8.80
M20	36.05 - 40.32	12.032 - 12.212	5.6	52	10.16

- Dimensions in millimetres
- Available in Grades 10.9 & 12.9 Steel and A2 & A4 Stainless Steel
- Other materials manufactured on request