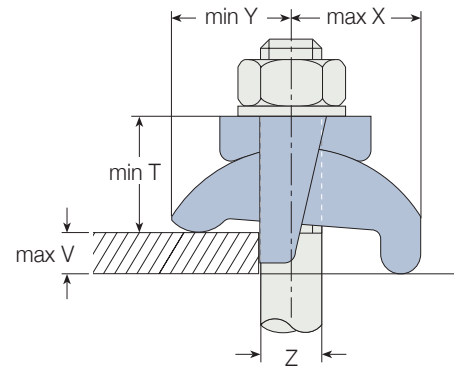
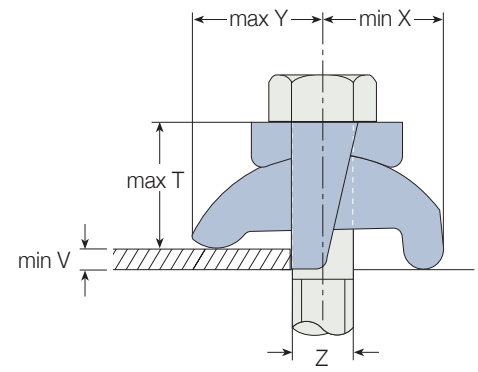
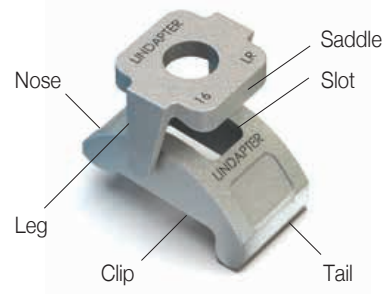
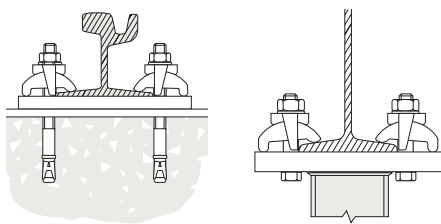


Type LR

Malleable iron, bright zinc plated / hot dip galvanised



Typical Applications (see also page 34-37)



A self adjusting clamp for various flange thicknesses and slopes up to 15°. The leg of the saddle prevents the clamp rotating during installation. The LR tail spans slotted holes. For thicker flanges packings P1 long and P2 long are available. For correct packing combinations please see page 23.

Product Code	Bolt 8.8 Z	Safe Working Loads (5:1 Factor of Safety)		Tightening Torque Nm	Clamping Range V mm	Dimensions			
		Tensile / 1 Bolt kN	Frictional / 2 Bolts kN			Y mm	X mm	T mm	Width with Saddle mm
LR10	M10	1.5	-	20	3 - 10	21 - 24	24 - 26	21 - 24	33
LR12	M12	5.8	0.7	69	3 - 12	26 - 29	25 - 31	25 - 29	39
LR16	M16	7.3	1.5	147	3 - 16	30 - 35	34 - 37	30 - 36	46
LR20	M20	14.7	3	285	3 - 20	42 - 49	46 - 51	41 - 48	57
LR24	M24	19.7	4.5	491	3 - 24	47 - 57	52 - 58	44 - 54	76

Order example: LR10 BZP