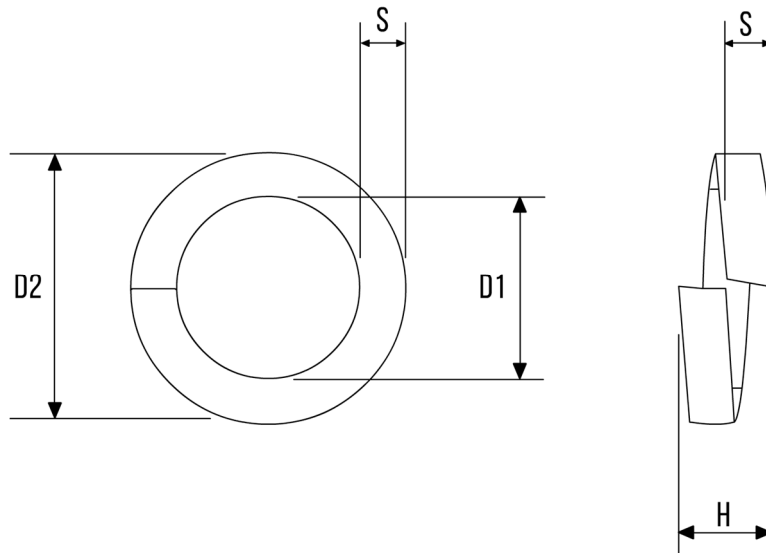


SPRING WASHERS (IMPERIAL) – SQUARE SECTION BS1802



DIA	D1 (MIN)	D1 (MAX)	D2 (MAX)	S	SWG
1/8	0.137	0.129	0.205	0.032	21.00
5/32	0.170	0.160	0.252	0.040	19.00
3/16	0.202	0.192	0.330	0.064	16.00
1/4	0.267	0.255	0.425	0.072	15.00
5/16	0.334	0.320	0.503	0.800	14.00
3/8	0.399	0.383	0.590	0.920	13.00
7/16	0.461	0.445	0.677	0.104	12.00
1/2	0.524	0.508	0.763	0.116	11.00
9/16	0.590	0.570	0.880	0.128	10.00
5/8	0.660	0.636	0.976	0.144	9.00
3/4	0.790	0.762	1.165	0.176	7.00
7/8	9.250	0.890	1.360	0.212	5.00
1	1.052	1.016	1.526	0.232	4.00
1.1/8	1.184	1.145	1.690	0.252	3.00

- Dimensions in inches
- Available in Mild Steel and A2 & A4 Stainless Steel
- Other materials manufactured on request