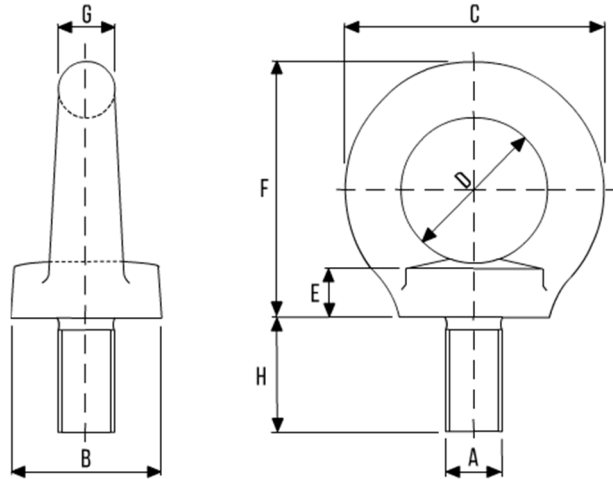


PIPE SUPPORTS



DIN580 EYEBOLT



A	B	C	D	E	F	G	H	SWL
M6	17	28	16	6	31	6	13	70 KG
M8	20	36	20	6	36	8	15	140 KG
M10	25	45	25	8	45	10	18	230 KG
M12	30	54	30	10	53	12	22	340 KG
M14	35	63	35	12	62	14	28	490 KG
M16	35	63	35	12	62	16	28	700 KG
M20	40	72	40	14	71	18	30	1200 KG
M22	45	81	45	16	80	20	35	1500 KG
M24	50	90	50	16	90	20	38	1800 KG
M27	50	90	50	18	90	24	38	2500 KG
M30	65	108	60	18	109	24	45	3200 KG
M33	65	108	60	22	109	28	45	4300 KG
M36	75	126	70	22	128	28	55	4600 KG
M39	75	126	70	26	128	32	55	6100 KG
M42	85	144	80	30	147	32	65	7000 KG
M45	85	144	90	30	147	36	65	8000 KG
M48	100	166	90	35	168	36	70	8600 KG
M52	100	166	90	35	168	36	70	9900 KG
M56	110	184	100	38	187	42	80	11500 KG
M64	120	206	110	42	208	48	90	16000 KG

- Dimensions in millimetres
- SWL shown for vertical lift
- Available in Carbon, Alloy & Stainless Steels
- Full range of different finishes available