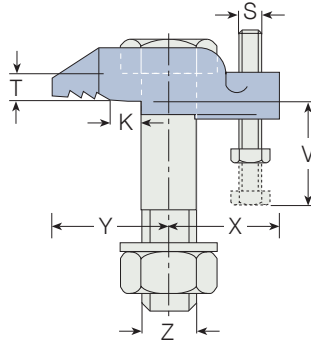
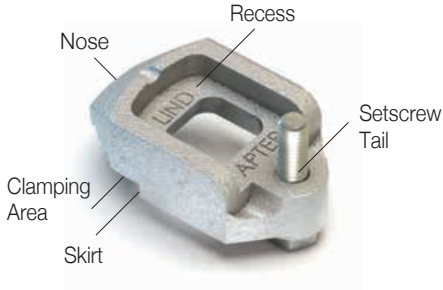


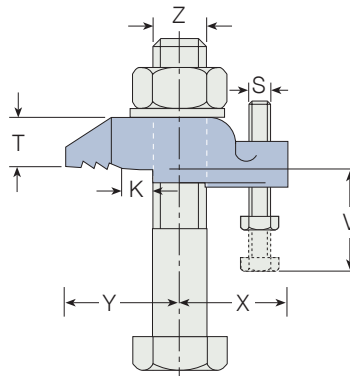
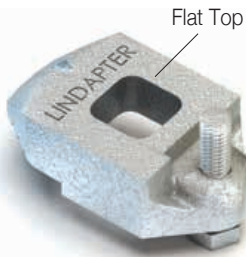
Type D2

Malleable iron, bright zinc plated / hot dip galvanised



Type D3

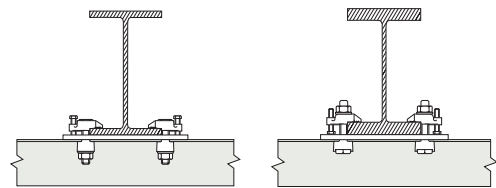
Malleable iron, bright zinc plated / hot dip galvanised



Adjustable clamps that incorporate a setscrew to accommodate a wide range of flange thicknesses. Type D2 has a recessed head to hold the bolt head captive. The skirt prevents the clamp rotating during installation. For flanges up to 5°. For thicker flanges packings P1 long and P2 long are available. For correct packing combinations please see page 23.

Correct Installation: Setscrew S needs to be adjusted so that V is 1mm shorter than the flange thickness prior to installation. Adjust the setscrew after installation so that the bolt Z is 90° to the clamp and the clamp contacts the flange with the clamping area only.

Typical Applications (see also page 34-37)



Product Code	Bolt 8.8 Z	Safe Working Loads (5:1 Factor of Safety)		Tightening Torque Nm	Clamping Range		Dimensions				
		Tensile / 1 Bolt kN	Frictional / 2 Bolts kN		V ¹⁾ mm	V ²⁾ mm	Y mm	X mm	S mm	T mm	Width mm
D210	M10	1.5	-	20	5 - 10	10 - 20	20	20	M6	5	26
D212	M12	5.8	0.7	69	5 - 10	10 - 22	26	25	M6	6	29
D216	M16	7.3	1.5	147	6.5 - 13	13 - 20	30	30	M8	8	35
D220	M20	14.7	3	285	8.5 - 17	17 - 24	36	35	M10	10	42
D224	M24	19.7	4.5	491	10 - 19	19 - 30	48	49	M12	12	54
D312	M12	5.8	0.7	69	5 - 10	10 - 22	26	25	M6	12	29
D316	M16	7.3	1.5	147	6.5 - 13	13 - 20	30	30	M8	16	35

1) Setscrew S inserted from above.
2) Setscrew S inserted from below.

Order example: D210 BZP