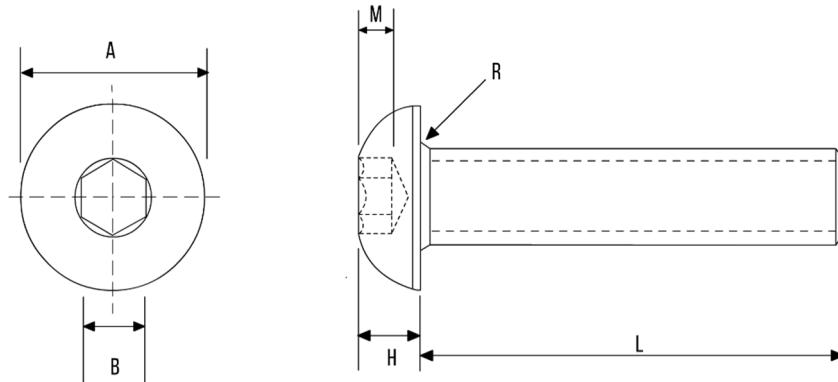


SOCKET BUTTON HEAD SCREWS (METRIC) - ISO 7380



DIA	A	H	B	M (MIN)	S (MIN)
M3	5.40 - 5.70	1.40 - 1.65	2.020 - 2.080	1.04	0.10
M4	7.24 - 7.60	1.95 - 2.20	2.520 - 2.580	1.30	0.20
M5	9.14 - 9.50	2.50 - 2.75	3.020 - 3.080	1.56	0.20
M6	10.07 - 10.50	3.00 - 3.30	4.020 - 4.095	2.08	0.25
M8	13.57 - 14.00	4.10 - 4.40	5.020 - 5.140	2.60	0.40
M10	17.07 - 17.50	5.20 - 5.50	6.020 - 6.140	3.12	0.40
M12	20.48 - 21.00	6.24 - 6.60	8.025 - 8.175	4.16	0.60
M16	27.48 - 28.00	8.44 - 8.80	10.025 - 10.175	5.20	0.60

- Dimensions in millimetres
- Available in Grades 10.9 & 12.9 Steel and A2 & A4 Stainless Steel
- Other materials manufactured on request