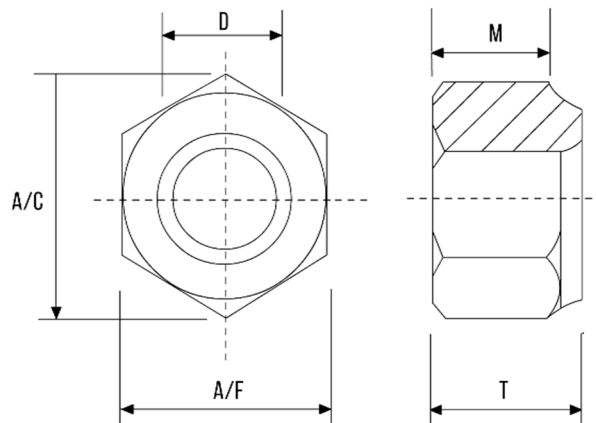


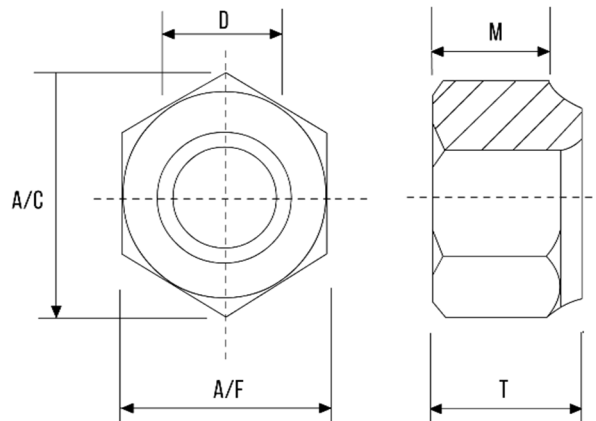
NYLON INSERT NUT (METRIC) - DIN 982 HIGH TYPE (P)



DIA.	TPI	A/C	T		M	A/F	
	COARSE	MIN	MIN	NOM	MIN	MIN	NOM
M5	0.80	8.79	6.00	6.30	4.40	7.78	8.00
M6	1.00	11.05	7.70	8.00	4.90	9.78	10.00
M7	1.00	12.12	8.20	8.50	6.14	10.73	11.00
M8	1.25	14.38	9.14	9.50	6.44	12.73	13.00
M10	1.50	18.90	11.14	11.50	8.04	16.73	17.00
M12	1.75	21.10	13.64	14.00	10.37	18.67	19.00
M14	2.00	24.49	15.30	16.00	12.10	21.67	22.00
M16	2.00	26.75	17.30	18.00	14.10	23.67	24.00
M18	2.50	29.56	19.16	20.00	15.10	26.18	27.00
M20	2.50	32.95	20.70	22.00	16.90	29.16	30.00
M22	2.50	35.03	23.70	25.00	18.10	31.00	32.00
M24	3.30	39.55	26.70	28.00	20.20	35.00	36.00

- Dimensions in millimetres
- Available in Grade 8 & 10 and A2 & A4 Stainless Steel
- Other materials manufactured on request

NYLON INSERT NUT (METRIC) - DIN 985 THIN TYPE (T)



DIA	TPI	A/C MIN	T		M MIN	A/F	
	COARSE		MIN	NOM		MIN	NOM
M10	1.50	18.90	9.64	10.00	6.50	15.73	16.00
M12	1.75	21.10	11.57	12.00	8.00	17.73	18.00
M14	2.00	24.49	13.30	14.00	9.50	20.67	21.00
M16	2.00	26.75	15.30	16.00	10.50	23.67	24.00
M18	2.50	29.56	17.66	18.50	13.00	26.16	27.00
M20	2.50	32.95	18.70	20.00	14.00	29.16	30.00
M22	2.50	35.03	20.70	22.00	15.00	33.00	34.00
M24	3.00	39.55	22.70	24.00	15.00	35.00	36.00
M27	3.00	45.20	25.70	27.00	17.00	40.00	41.00
M30	3.50	50.85	28.70	30.00	19.00	45.00	46.00
M33	3.50	55.37	31.40	33.00	22.00	49.00	50.00
M36	4.00	60.79	34.40	36.00	25.00	53.80	55.00
M39	4.00	66.44	37.40	39.00	27.00	58.80	60.00
M42	4.50	72.09	40.40	42.00	29.00	63.10	65.00
M45	4.50	76.95	43.40	45.00	32.00	68.10	70.00
M48	5.00	82.60	46.40	48.00	36.00	73.10	75.00

- Dimensions in millimetres
- Available in Grade 8 & 10 and A2 & A4 Stainless Steel
- Other materials manufactured on request