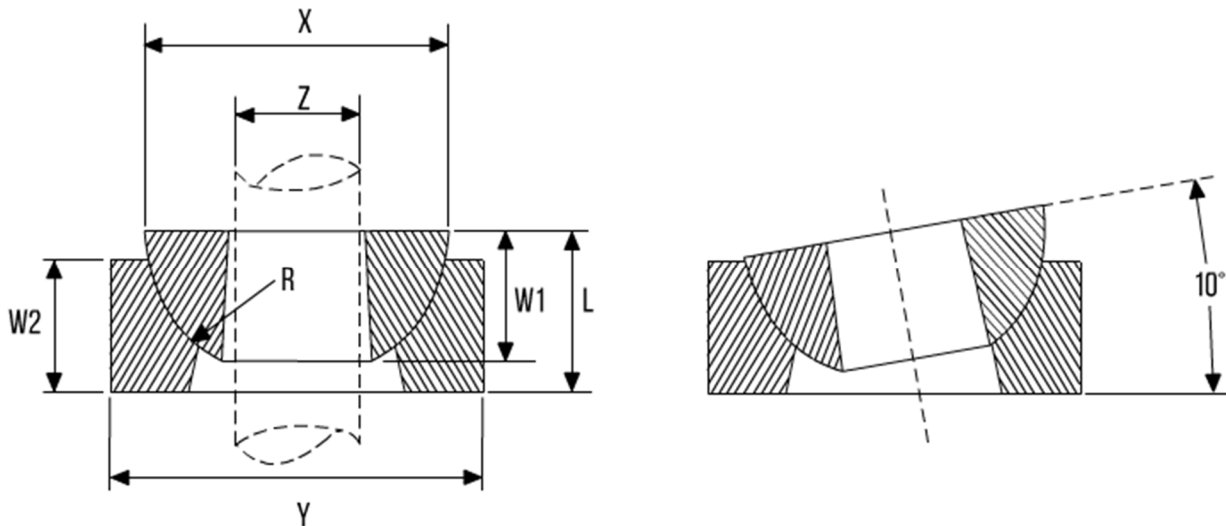


PIPE SUPPORTS



HEMISPHERICAL WASHER & CUP



Z	X	W1	Y	W2	R	L
M8	22	10	-	-	-	-
M10	25	12	32	12	13	14
M12	29	12	35	12	14	16
M16	34	16	41	16	17	19
M20	44	19	54	19	22	24
M24	57	25	67	25	29	32

- Dimensions in millimetres
- Material - Malleable Iron
- Available bright zinc plated or hot dipped galvanised.
- For vertical suspension on angled surface of up to 10° swing either side of the vertical.
- The hemispherical washer can be used without the cup.