

FOUNDATION BOLTING

BS7419 SQ.SQ HOLDING DOWN BOLT

DIN529 A,B,C,D,E & F

WASHER PLATES

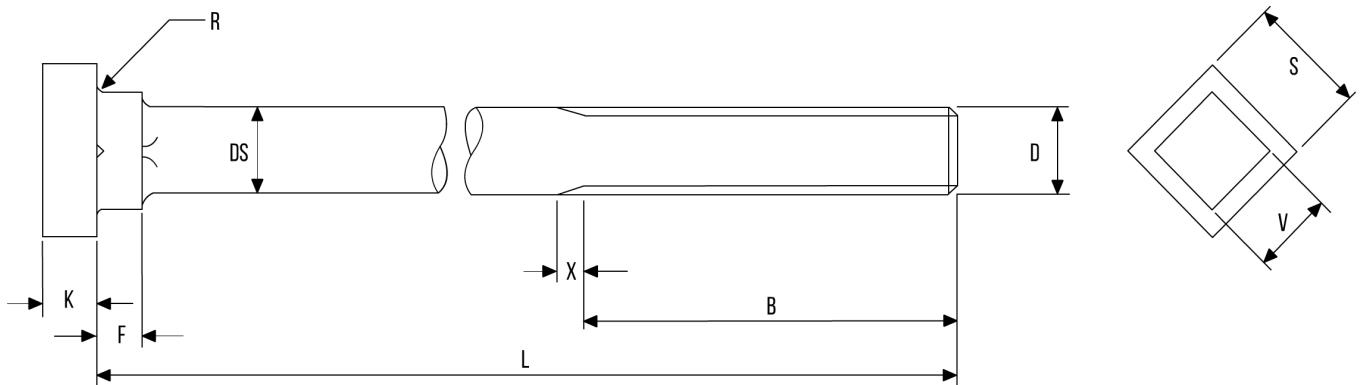
VOID FORMERS



FOUNDATION BOLTING



HOLDING DOWN BOLTS (SQUARE SQUARE) - BS7419



Diameter	Thread Length (B)		Dia. of Unthreaded Shank (DS)		Thickness of Head (K)			Radius (R)
	Min.	Max.	Min.	Max.	Nom.	Min.	Max.	Min.
(M12)	112.0	118.0	11.3	12.7	8.0	7.3	8.8	0.5
M16	116.0	122.0	15.3	16.7	10.0	9.3	10.8	0.6
M20	120.0	127.5	19.2	20.8	12.5	11.6	13.4	0.8
(M22)	122.0	131.0	21.2	22.8	14.0	13.1	14.9	0.8
M24	124.0	133.0	23.2	24.8	15.0	14.1	15.9	0.8
(M27)	127.0	137.0	26.2	27.8	17.0	16.0	16.1	1.0
M30	130.0	140.5	29.2	30.8	18.7	17.7	19.8	1.0
(M33)	133.0	145.0	32.0	34.0	21.0	20.0	22.1	1.0
M36	136.0	148.0	35.0	37.0	22.5	21.5	23.6	1.0
(M39)	139.0	152.0	38.0	40.0	25.0	34.0	26.1	1.0
M42	142.0	155.5	41.0	43.0	26.0	25.0	27.1	1.2
(M45)	145.0	160.0	44.0	46.0	28.0	27.0	29.1	1.6
M48	148.0	163.0	47.0	49.0	30.0	29.0	31.1	1.6

Continued...

FOUNDATION BOLTING



HOLDING DOWN BOLTS (SQUARE SQUARE) - BS7419 (CONTINUED)

Diameter	Width Across Flats (S)		Thickness of Underhead (F)			Underhead Width Across Flats (V)		Thread Runout (X)
	Min.	Max.	Nom.	Min.	Max.	Min.	Max	Max.
(M12)	18.16	19.00	6.00	5.25	6.75	11.30	12.70	4.40
M16	23.16	24.00	8.00	7.25	8.75	15.30	16.70	5.00
M20	29.16	30.00	10.00	9.25	10.75	19.16	20.84	6.30
(M22)	31.16	32.00	11.00	10.25	11.75	21.16	27.84	6.30
M24	35.00	36.00	12.00	11.10	12.90	23.16	24.84	7.50
(M27)	40.00	41.00	13.50	12.60	14.40	26.16	27.84	7.50
M30	45.00	46.00	15.00	14.10	15.90	29.16	30.84	9.00
(M33)	46.80	50.00	16.50	15.60	17.40	32.00	34.00	9.00
M36	53.80	55.00	18.00	17.10	18.90	35.00	37.00	10.00
(M39)	58.10	60.00	19.50	18.45	20.55	38.00	40.00	10.00
M42	63.10	65.00	21.00	19.95	22.05	43.00	41.00	11.00
(M45)	68.10	70.00	22.50	21.45	23.55	44.00	46.00	11.00
M48	73.10	75.00	24.00	22.95	25.05	47.00	49.00	12.50

Sizes in brackets are non-preferred sizes
 All dimensions are in mm

TOLERANCE ON NOMINAL LENGTH

Nominal Length		Tolerance
Over	Up to and Including	
250	315	± 5.20
315	400	± 5.70
400	500	± 6.30
500	625	± 6.80
625	800	± 7.20
800	1000	± 7.40
1000	1250	± 7.60

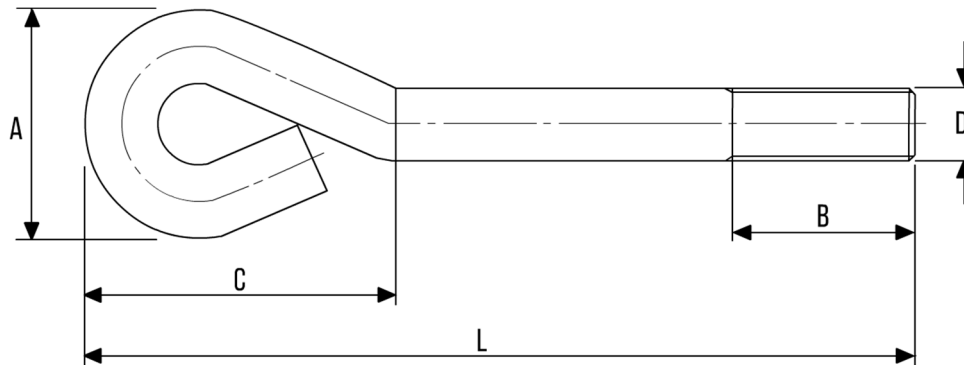
PREFERRED SIZES

Nominal Length for Thread				
M16	M20	M24	M30	M36
300	300	-	-	-
375	375	375	-	-
-	400	400	-	-
450	450	450	450	450
525	525	525	525	525
600	600	600	600	600
-	750	750	750	750
-	1000	100	1000	1000

FOUNDATION BOLTING



ANCHOR BOLTS - DIN529A



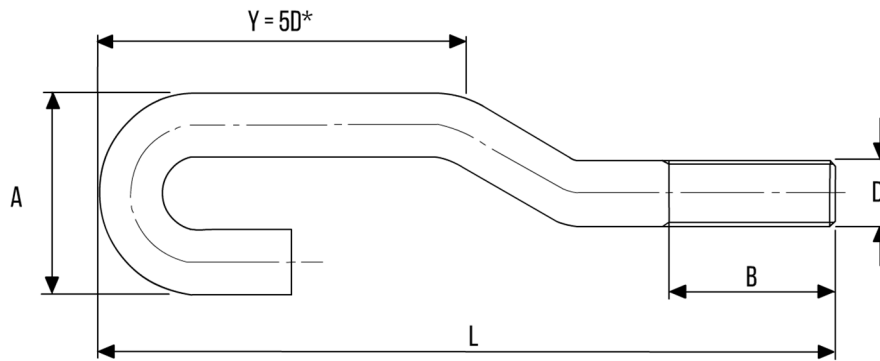
Diameter	Pitch (Coarse)	A	C
M8	1.25	24	45
M10	1.50	30	55
M12	1.75	36	65
M16	2.00	48	85
M20	2.50	60	105
M24	3.00	75	125
M30	3.50	95	155
M36	4.00	115	190
M42	4.50	135	220
M48	5.00	155	250
M56	5.50	180	290
M64	6.00	200	335
M72	6.00	240	370

- Dimensions in millimetres
- Thread and overall length to suit customer requirements
- Available in carbon, stainless and alloy steels

FOUNDATION BOLTING



ANCHOR BOLTS - DIN529B



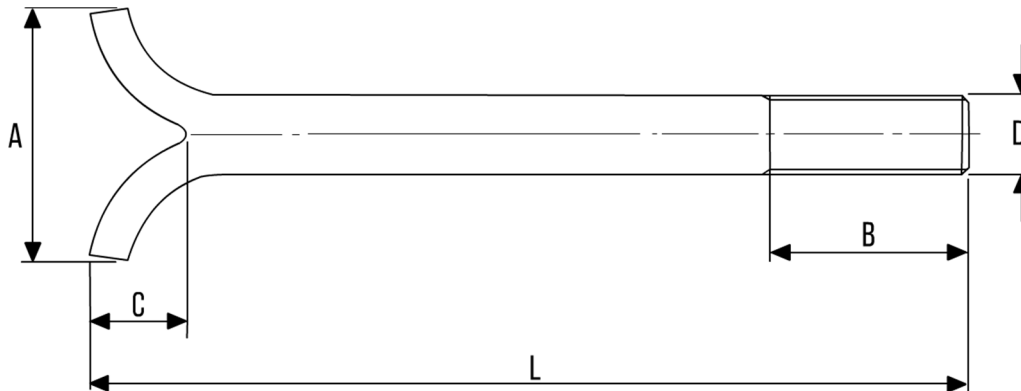
Diameter	Pitch (Coarse)	A	Y
M8	1.25	24	40
M10	1.50	30	50
M12	1.75	36	60
M16	2.00	48	80
M20	2.50	60	100
M24	3.00	75	120
M30	3.50	95	150
M36	4.00	115	180
M42	4.50	135	210
M48	5.00	155	240
M56	5.50	180	280
M64	6.00	200	320
M72	6.00	240	360

- Dimensions in millimetres
- Thread and overall length to suit customer requirements
- Available in carbon, stainless and alloy steels

FOUNDATION BOLTING



ANCHOR BOLTS - DIN529C



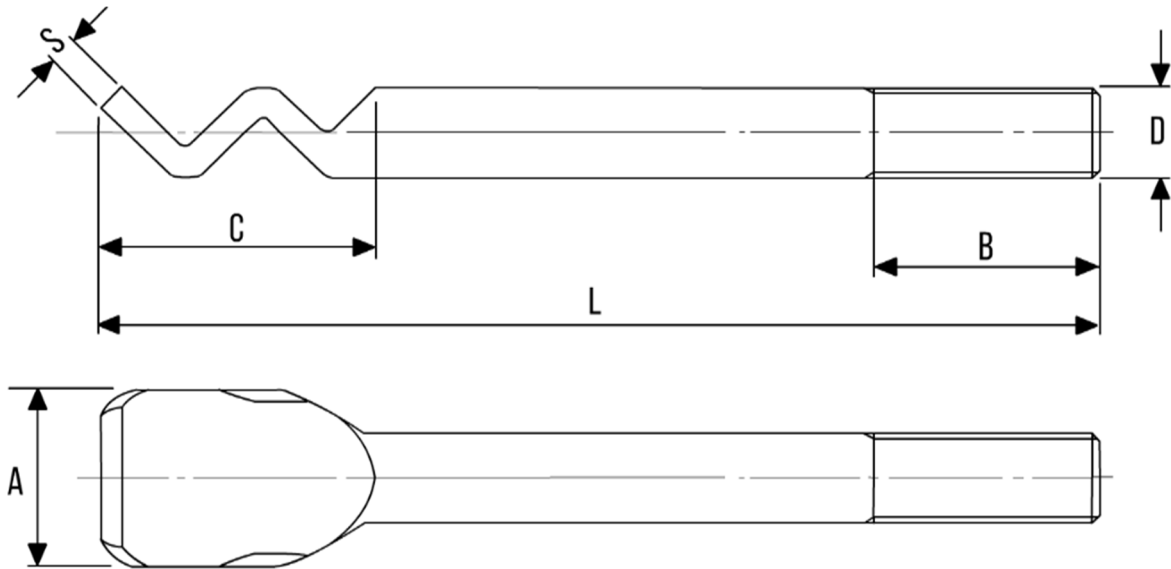
Diameter	Pitch (Coarse)	A	C
M8	1.25	24	12
M10	1.50	30	15
M12	1.75	36	18
M16	2.00	48	24
M20	2.50	60	30
M24	3.00	75	36
M30	3.50	95	45
M36	4.00	115	54
M42	4.50	135	63
M48	5.00	155	72
M56	5.50	180	84
M64	6.00	200	96
M72	6.00	240	110

- Dimensions in millimetres
- Thread and overall length to suit customer requirements
- Available in carbon, stainless and alloy steels

FOUNDATION BOLTING



ANCHOR BOLTS - DIN529D



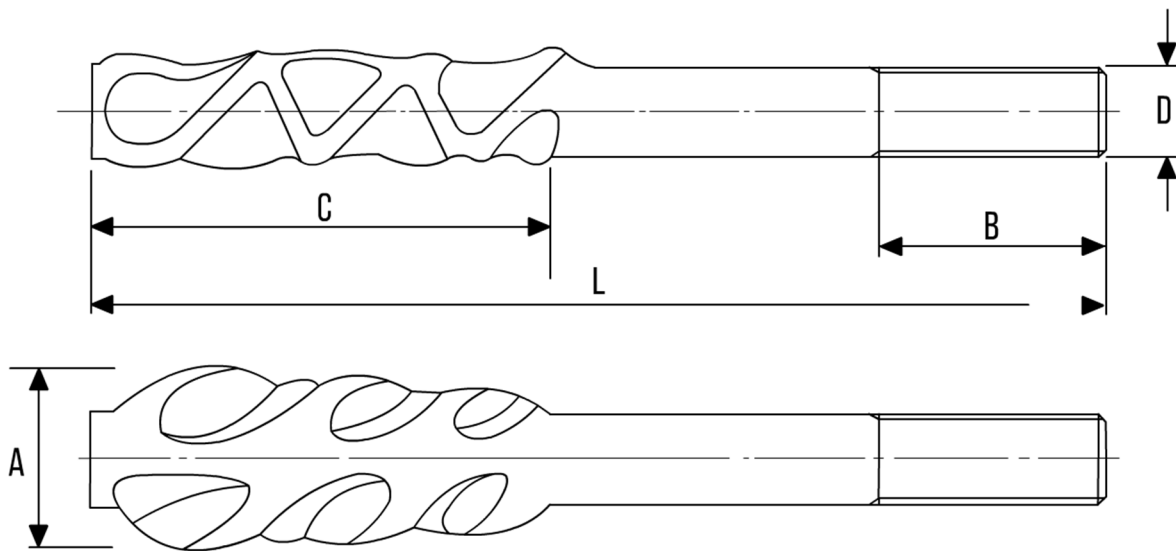
Diameter	Pitch (Coarse)	A	C	S
M8	1.25	16	24	3.0
M10	1.50	20	30	3.5
M12	1.75	24	36	4.0
M16	2.00	32	48	5.0
M20	2.50	40	60	6.0
M24	3.00	48	72	8.0

- Dimensions in millimetres
- Thread and overall length to suit customer requirements
- Available in carbon, stainless and alloy steels

FOUNDATION BOLTING



ANCHOR BOLTS - DIN529E



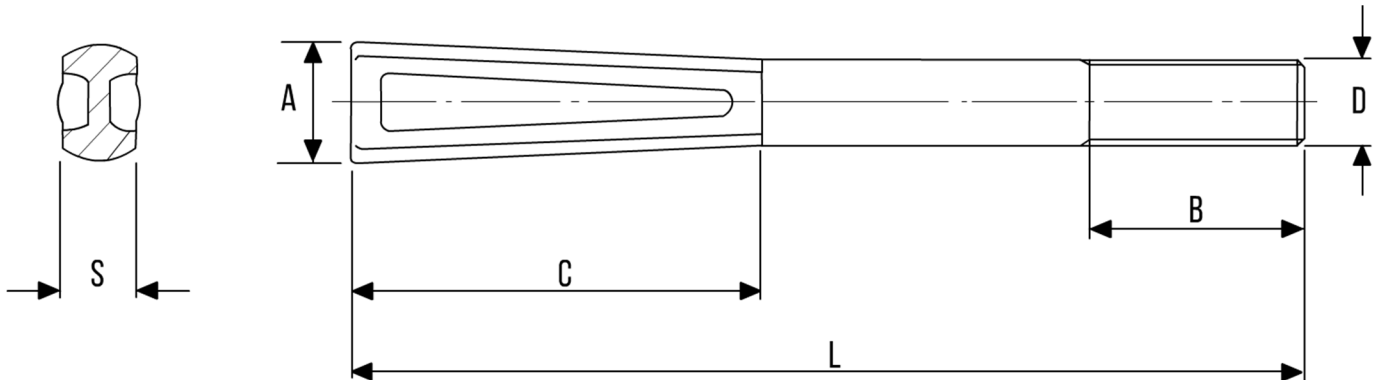
Diameter	Pitch (Coarse)	A	B	C
M8	1.25	16	20	45
M10	1.50	20	25	55
M12	1.75	24	30	70
M16	2.00	32	40	90
M20	2.50	40	50	100
M24	3.00	48	60	135
M30	3.50	60	75	150
M36	4.00	72	90	180
M42	4.50	85	105	260
M48	5.00	98	120	260

- Dimensions in millimetres
- Overall length to suit customer requirements
- Available in carbon, stainless and alloy steels

FOUNDATION BOLTING



ANCHOR BOLTS - DIN529F



Diameter	Pitch (Coarse)	A	C	S
M8	1.25	14	50	6
M10	1.50	16	50	8
M12	1.75	20	55	10
M16	2.00	25	85	14
M20	2.50	30	95	18
M24	3.00	35	120	22
M30	3.50	45	130	26
M36	4.00	55	190	30
M42	4.50	65	200	36
M48	5.00	75	220	42

- Dimensions in millimetres
- Thread and overall length to suit customer requirements
- Available in carbon, stainless and alloy steels

FOUNDATION BOLTING



WASHER PLATES

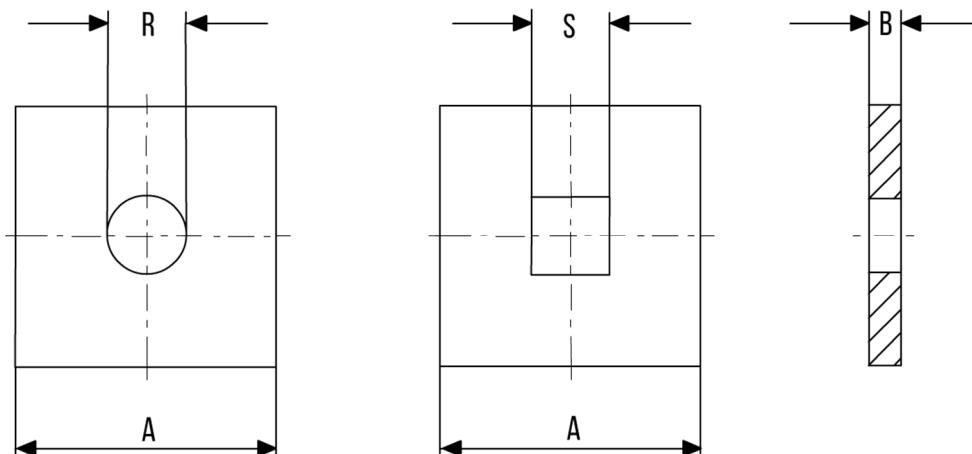


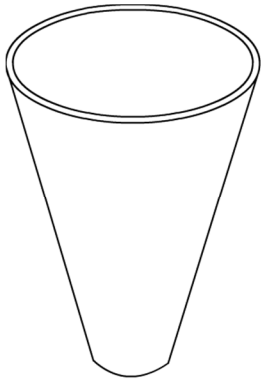
Plate Width Square (A)	Plate Thickness (B)	Bolt Diameter (R)	Bolt Diameter (S)
40	3	M6 - M12	-
40	5	M6 - M20	-
50	3	M6 - M24	-
50	6	M6 - M24	M12 - M16
75	6	M12 - M30	M12 - M24
75	10	M12 - M30	M12 - M30
100	6	M12 - M24	M12 - M30
100	8	M16 - M30	M16 - M30
100	10	M12 - M36	M12 - M36
100	12	M16 - M36	M12 - M48
100	15	M16 - M36	M12 - M48
120	10	M16 - M30	M16 - M30
120	15	M16 - M30	M16 - M30
120	20	M20 - M30	M20 - M30
150	10	M16 - M42	M12 - M48
150	12	M16 - M30	M16 - M30
150	15	M16 - M42	M16 - M48
150	20	M20 - M36	M20 - M36

- Dimensions in millimetres
- Mild steel plates available in self colour, zinc plated & galvanised finish
- Square holed plates suitable for use BS7419 and DIN 603

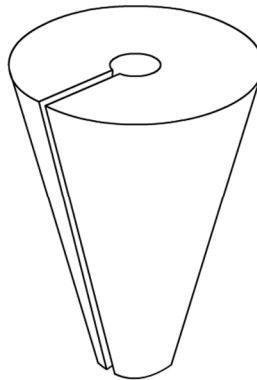
FOUNDATION BOLTING



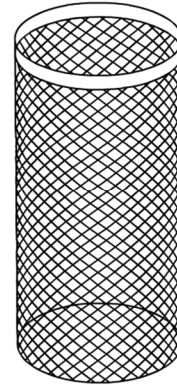
VOID FORMERS



CONICAL BOLT BOXES



POLYSTYRENE BOLT BOXES



EXPANDED METAL BOLT BOXES

Bolt Length	Waxed Cardboard Bolt Boxes			Polystyrene Bolt Boxes	Expanded Metal Bolt Boxes
	Length	Internal Dia. at Top	Internal Dia. at Bottom	Internal Dia. at Bottom	Length
300	229	70	25	75 x 225	225
375	305	92	25	75 x 300	300
400	305	92	25	75 x 300	350
450	380	108	27	75 x 375	375
525	457	114	32	75 x 450	450
600	534	118	32	75 x 475	550
750	610	132	32	75 x 600	600

When installing foundation bolting, specifically Holding Down Bolts (Square Square), instances arise where a pocket or void is required around the bolt, to allow for easier adjustment even after the concrete has been poured and set. We offer three alternative products for this purpose.

Conical Bolt Boxes Waxed cardboard void former provides an easy method of bolt alignment for steel frame buildings.

Polystyrene Bolt Boxes This Polystyrene void former offers a low cost method of forming a cavity in foundations for holding down bolts. Core diameter for bolt approximately 25mm.

Expanded Metal Bolt Boxes Expanded metal void former designed for positioning holding down bolts where the bolt box remains in the concrete

STUDBOLT 
SCOTLAND LIMITED
PETROCHEMICAL AND INDUSTRIAL GRADE FASTENERS AND SUPPLIES



www.studboltscotland.co.uk



8 Abbotsinch Road
Grangemouth
FK3 9UX



sales@studboltscotland.co.uk



01324 473355